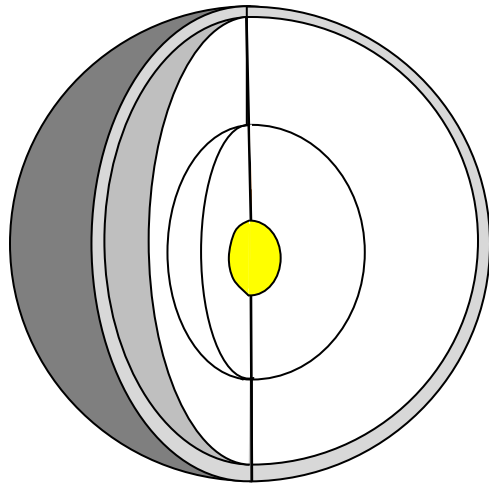


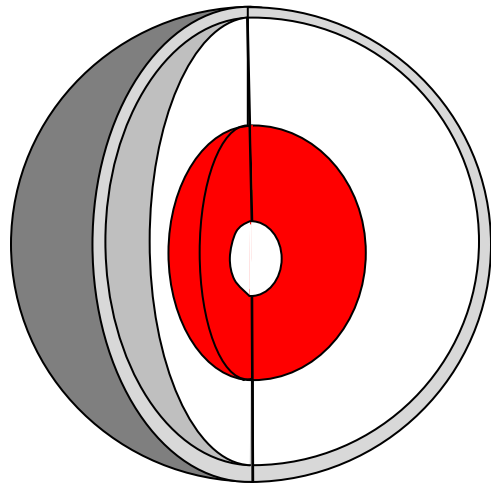
Layers of the Earth

Layers of the Earth define the different materials that made up the planet Earth. Scientists believe that Earth is made up of different layers and they give them special names: crust, mantle, outer core and inner core.



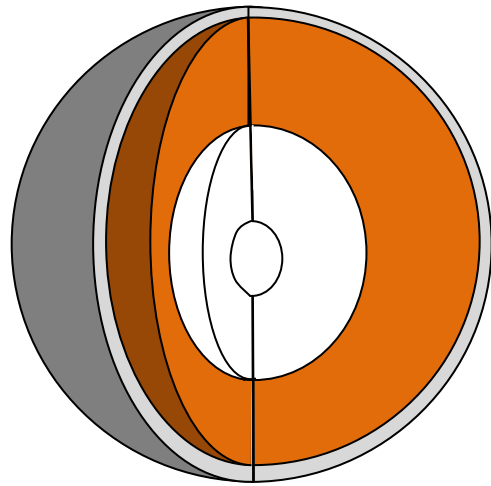
Inner Core

The Inner Core is a solid ball located at the center of the Earth and is mostly made up of iron and nickel. It extends 900 miles (1448km) toward the center of the Earth.



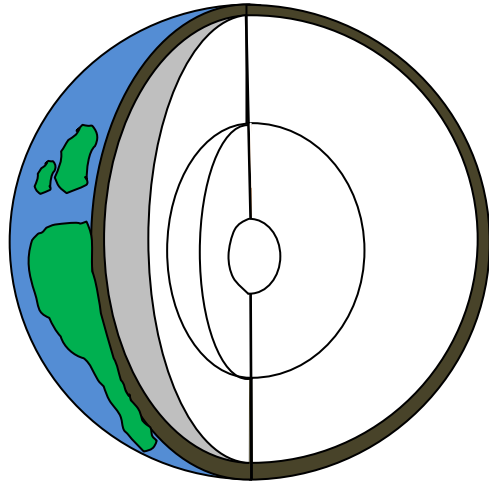
Outer Core

The Outer Core is about 3000 miles of hot liquid lava and is mostly made up of iron and nickel.



Mantle

Mantle is the second layer of the Earth and is around 1800 miles deep. It is mostly made up of thick solid rocks. The first 50 miles consist of very hard rigid rocks and the next 150 miles are believed to be super-heated solid rocks. Below that, the Earth's mantle is believed again to be made up of solid rock materials.



Earth's Crust

Earth's Crust is the first layer of the Earth and is 10 miles deep. It is made up of rocks and soil and forms the land. The crust also holds the lake and ocean waters of the Earth.